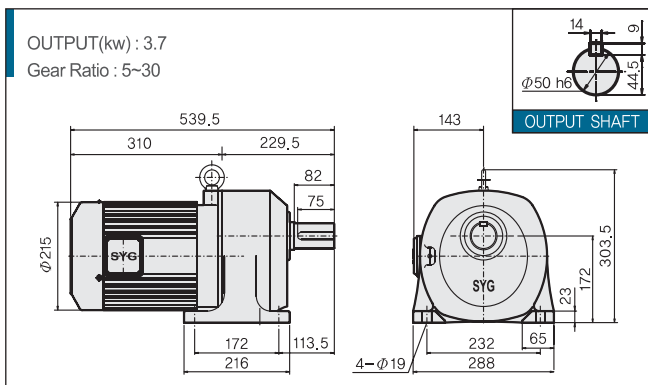


3.7KW 5HP 3-phase 삼상

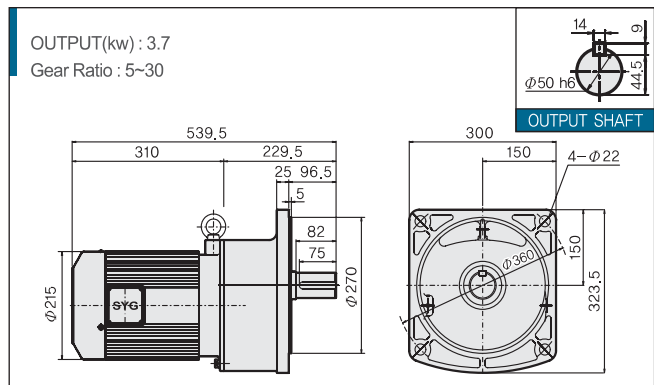
MAXII 외형도 Specifications

동력(Kw) POWER	형번	비율 RATIO	R.P.M	TORQUE (Kgf.m)	O.H.L (Kgf)	WEIGHT(KG)	
						HT	VT
3.7 (삼상)	172	1 / 5	350	9,6	320	65,5	69
		1 / 10	175	19	400	65,5	69
		1 / 15	116.7	28,8	450	65,5	69
		1 / 20	87,5	38	710	65,5	69
		1 / 30	58,3	56,5	880	65,5	69

MAXII 172 HORIZONTAL 3-phase



MAXII 172 VERTICAL 3-phase



3.7KW LINE POWER

MAXII 172 LINE POWER

