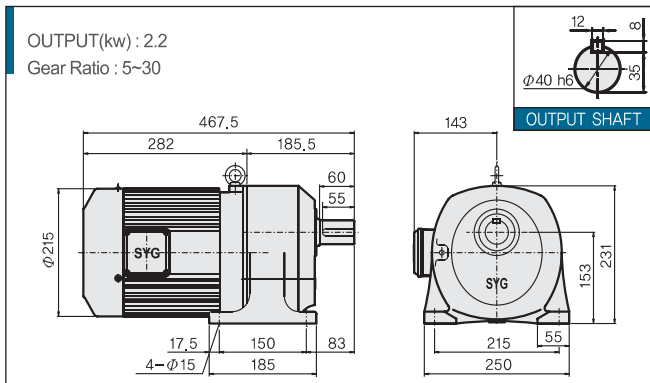


# 2.2KW 3HP 3-phase 삼상

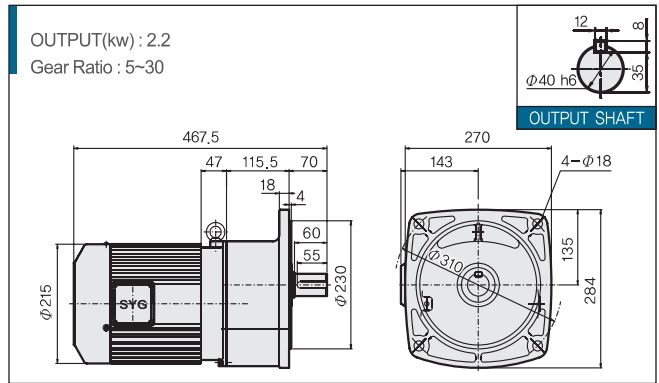
## MAXII 외형도 Specifications

동력(Kw) POWER	형번	비율 RATIO	R.P.M	TORQUE (Kgf.m)	O.H.L (Kgf)	WEIGHT(KG)		형번	비율 RATIO	R.P.M	TORQUE (Kgf.m)	O.H.L (Kgf)	WEIGHT(KG)	
						HT	VT						HT	VT
2.2 (삼상)	153	1 / 5	350	5.7	220	50.3	53	172	1 / 40	43.8	44.8	740	61.8	65
		1 / 10	175	11.4	320	50.3	53		1 / 50	35	56	880	61.8	65
		1 / 15	116.7	17	360	50.3	53		1 / 60	29.2	67.1	1000	61.8	65
		1 / 20	87.5	22.9	410	50.3	53		1 / 75	23.3	83.9	1000	61.8	65
		1 / 30	58.3	33.6	710	50.3	53							

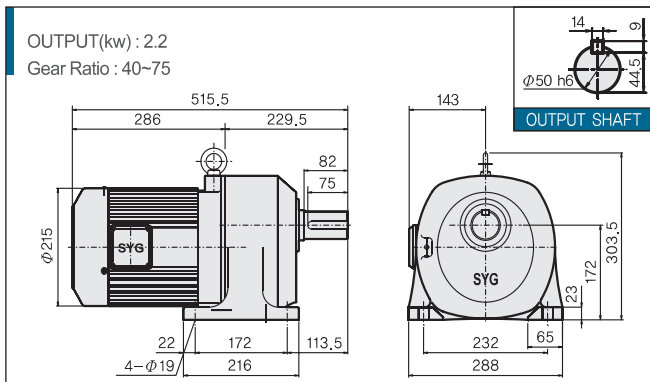
### MAXII 153 HORIZONTAL 3-phase



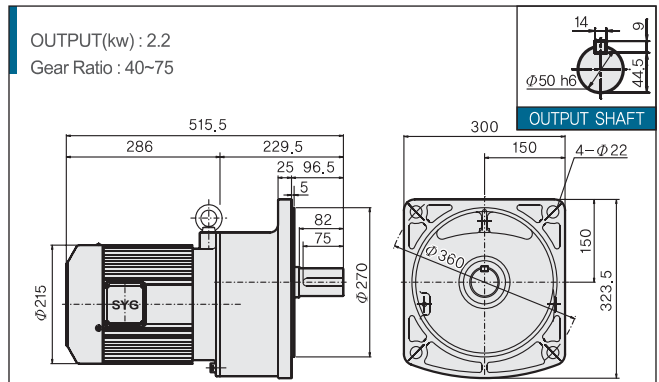
### MAXII 153 VERTICAL 3-phase



### MAXII 172 HORIZONTAL 3-phase

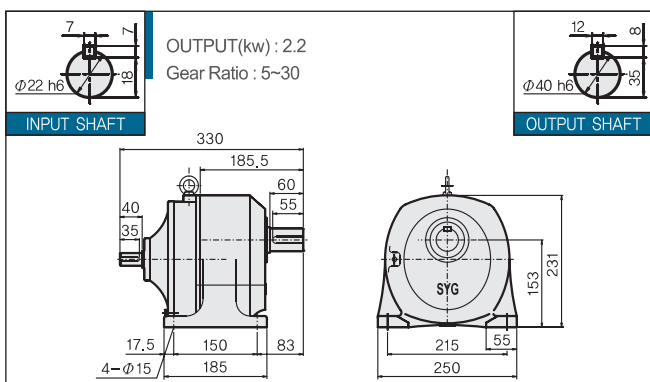


### MAXII 172 VERTICAL 3-phase



# 2.2KW LINE POWER

### MAXII 153 LINE POWER



### MAXII 172 LINE POWER

