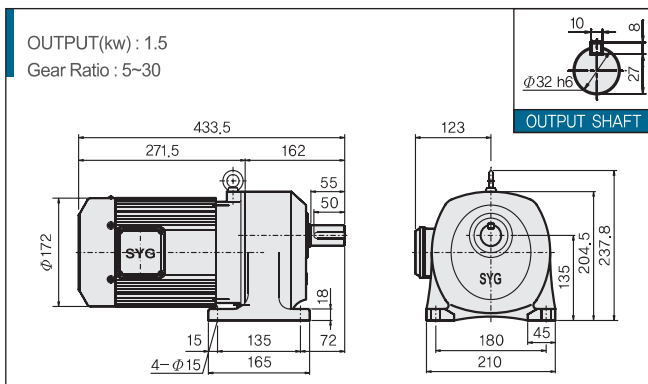


## 1.5KW 2HP 3-phase 삼상

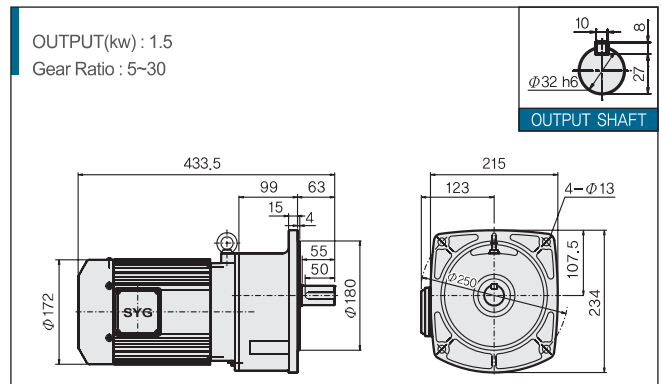
### MAXII 외형도 Specifications

동력(kw) POWER	형번	비율 RATIO	R.P.M	TORQUE (Kgf.m)	O.H.L (Kgf)	WEIGHT(KG)		형번	비율 RATIO	R.P.M	TORQUE (Kgf.m)	O.H.L (Kgf)	WEIGHT(KG)		
						HT	VT						HT	VT	
1.5 (삼상)	135	1 / 5	350	4	180	29	30	172	1 / 90	19.4	68.7	720	50	53.1	
		1 / 10	175	7.8	250	29	30		1 / 100	17.5	76.3	1000	50	53.1	
		1 / 15	116.7	11.7	290	29	30		1 / 120	14.6	87.7	1000	50	53.1	
		1 / 20	87.5	15.6	330	29	30		1 / 140	12.5	102	1000	50	53.1	
		1 / 30	58.3	22.9	520	29	30		1 / 150	11.7	110	1000	50	53.1	
		1 / 40	43.8	30.5	600	37.6	40		1 / 160	10.9	116.9	1000	50	53.1	
	153	1 / 50	35	36.5	720	37.6	40		1 / 180	9.7	131.5	1000	50	53.1	
		1 / 60	29.2	45.8	720	37.6	40		1 / 200	8.8	137	1000	50	53.1	
		1 / 75	23.3	57.8	720	37.6	40								

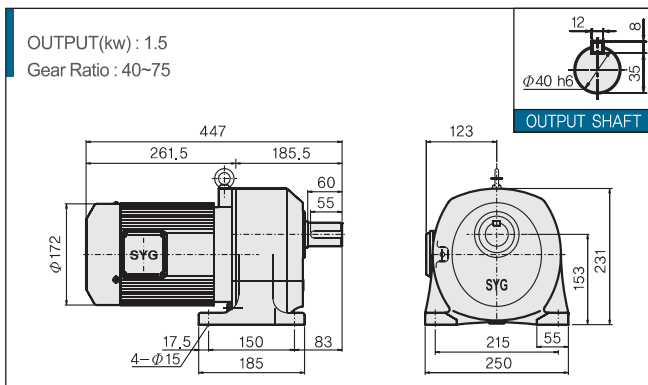
### MAXII 135 HORIZONTAL 3-phase



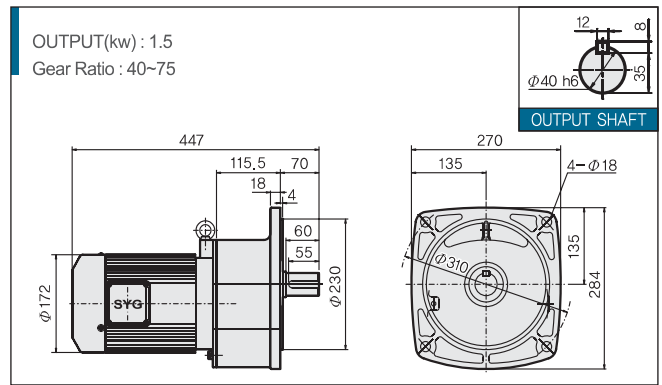
### MAXII 135 VERTICAL 3-phase



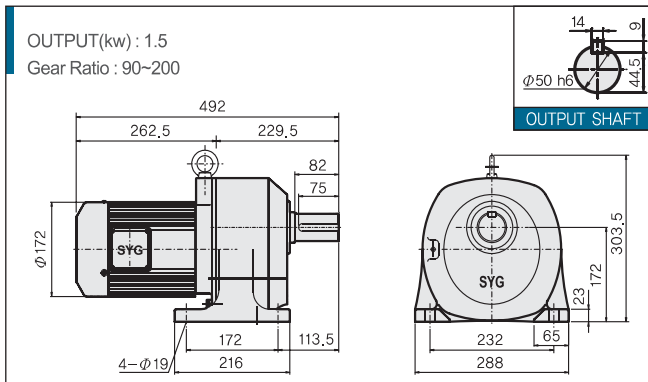
### MAXII 153 HORIZONTAL 3-phase



### MAXII 153 VERTICAL 3-phase



### MAXII 172 HORIZONTAL 3-phase



### MAXII 172 VERTICAL 3-phase

