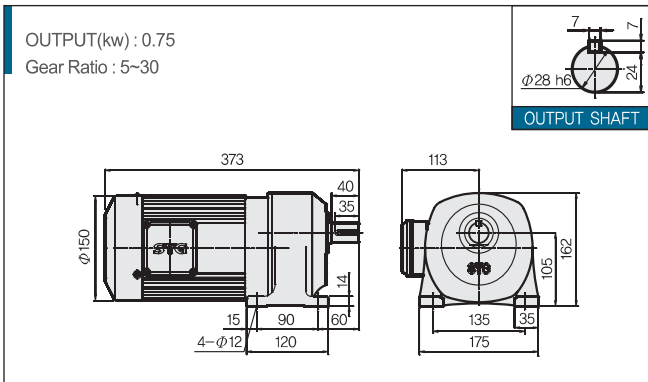


# 0.75KW 1HP 3-phase 삼상

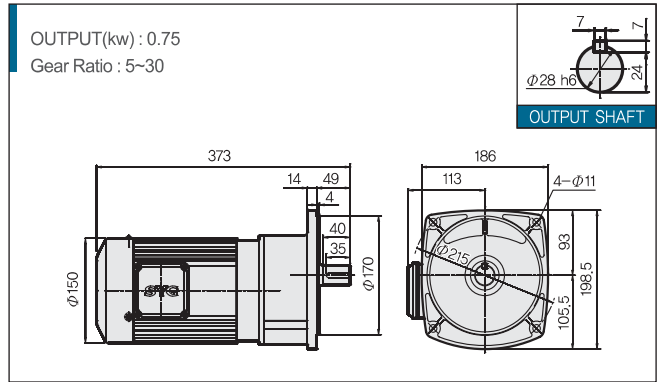
## MAXII 외형도 Specifications

동력(Kw) POWER	형번	비율 RATIO	R.P.M	TORQUE (Kgf.m)	O.H.L (Kgf)	WEIGHT(KG)		형번	비율 RATIO	R.P.M	TORQUE (Kgf.m)	O.H.L (Kgf)	WEIGHT(KG)		
						HT	VT						HT	VT	
0.75 (삼상)	105	1 / 5	350	2	130	17	17.5	153	1 / 90	19.4	34.3	650	32	34.7	
		1 / 10	175	4	180	17	17.5		1 / 100	17.5	38.1	720	32	34.7	
		1 / 15	116.7	5.8	220	17	17.5		1 / 120	14.6	43.8	720	32	34.7	
		1 / 20	87.5	7.8	240	17	17.5		1 / 140	12.5	51	720	32	34.7	
		1 / 30	58.3	11.4	410	17	17.5		1 / 150	11.7	54.8	720	32	34.7	
	135	1 / 40	43.8	15.3	430	24.5	25.7		1 / 160	10.9	58.4	720	32	34.7	
		1 / 50	35	19.1	470	24.5	25.7		1 / 180	9.7	60	720	32	34.7	
		1 / 60	29.2	22.9	560	24.5	25.7		1 / 200	8.8	60	720	32	34.7	
		1 / 75	23.3	28.6	600	24.5	25.7								

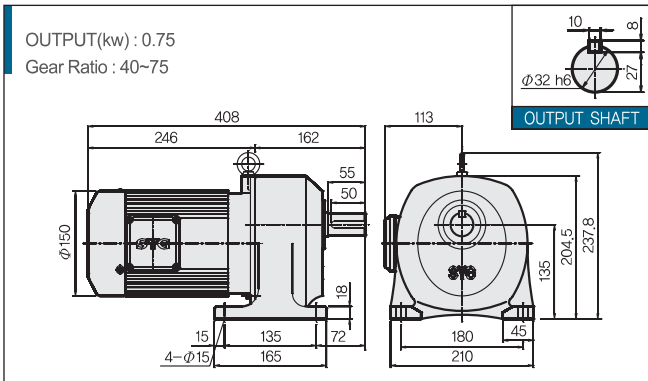
### MAXII 105 HORIZONTAL 3-phase



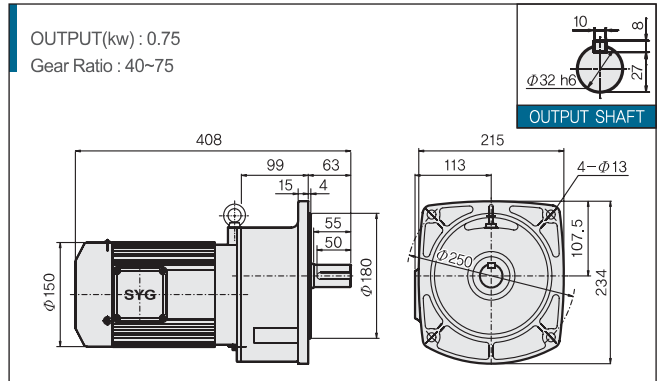
### MAXII 105 VERTICAL 3-phase



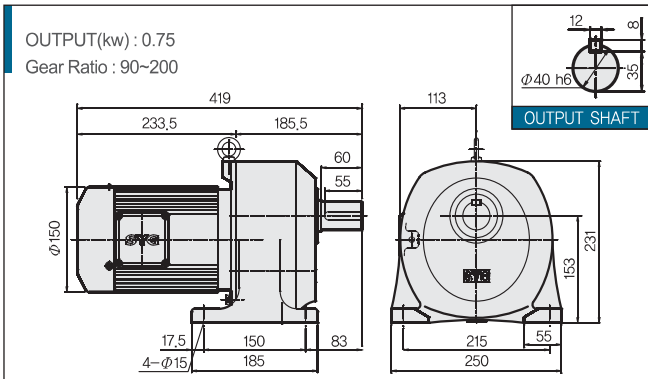
### MAXII 135 HORIZONTAL 3-phase



### MAXII 135 VERTICAL 3-phase



### MAXII 153 HORIZONTAL 3-phase



### MAXII 153 VERTICAL 3-phase

