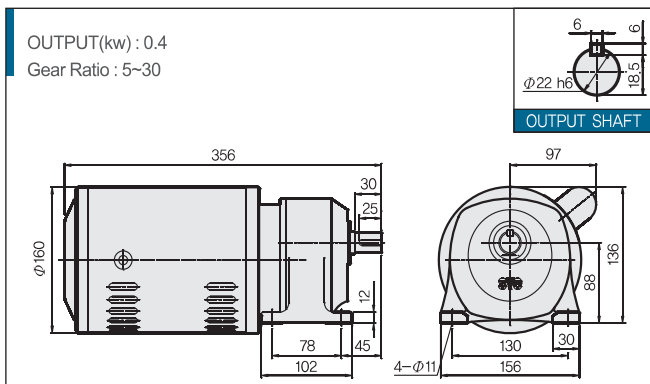


# 0.4KW 2/4HP 1-phase 단상

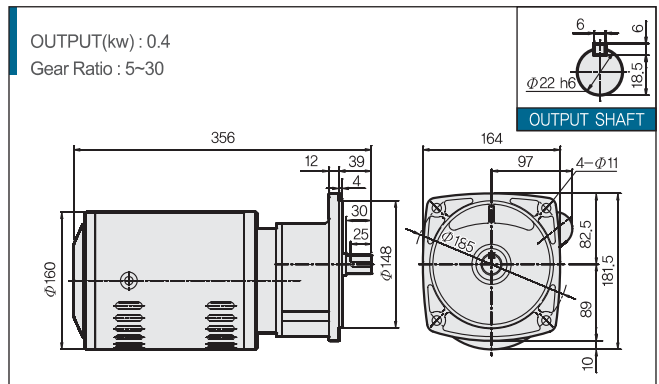
## MAXII 외형도 Specifications

동력(Kw) POWER	형번	비율 RATIO	R.P.M	TORQUE (Kgf.m)	O.H.L (Kgf)	WEIGHT(KG)		형번	비율 RATIO	R.P.M	TORQUE (Kgf.m)	O.H.L (Kgf)	WEIGHT(KG)	
						HT	VT						HT	VT
0.4 (단상)	88	1 / 5	350	1	90	14.5	14.7	135	1 / 90	19.4	18	350	27.2	28.3
		1 / 10	175	2.1	120	14.5	14.7		1 / 100	17.5	20.3	500	27.2	28.3
		1 / 15	116.7	3.1	140	14.5	14.7		1 / 120	14.6	23.4	600	27.2	28.3
		1 / 20	87.5	4.2	150	14.5	14.7		1 / 140	12.5	27.3	600	27.2	28.3
		1 / 30	58.3	6.1	260	14.5	14.7		1 / 150	11.7	29.2	600	27.2	28.3
		1 / 40	43.8	8.1	290	16.1	16.5		1 / 160	10.9	31.2	600	27.2	28.3
	105	1 / 50	35	10.2	320	16.1	16.5	1 / 180	9.7	32	600	27.2	28.3	
		1 / 60	29.2	12.2	350	16.1	16.5	1 / 200	8.8	32	600	27.2	28.3	
		1 / 75	23.3	15.3	350	16.1	16.5							

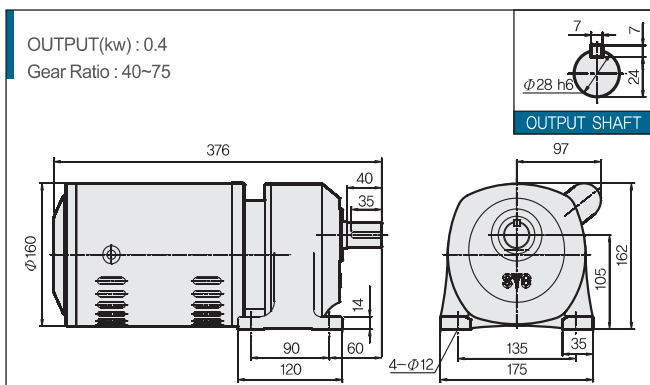
### MAXII 88 HORIZONTAL 1-phase



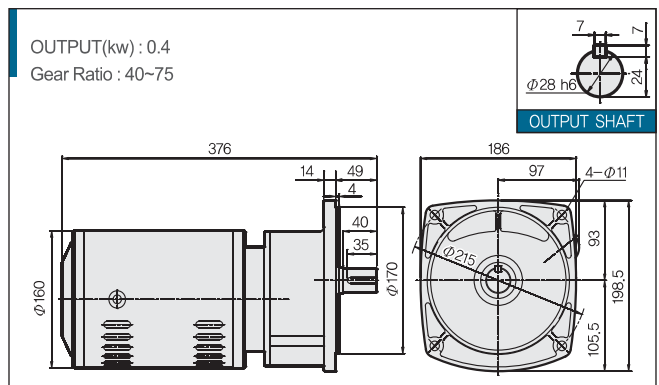
### MAXII 88 VERTICAL 1-phase



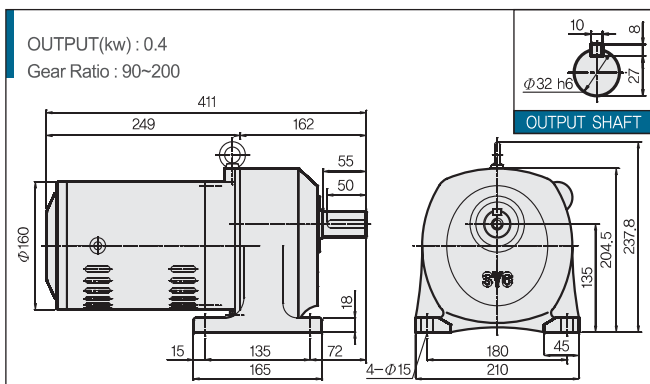
### MAXII 105 HORIZONTAL 1-phase



### MAXII 105 VERTICAL 1-phase



### MAXII 135 HORIZONTAL 1-phase



### MAXII 135 VERTICAL 1-phase

