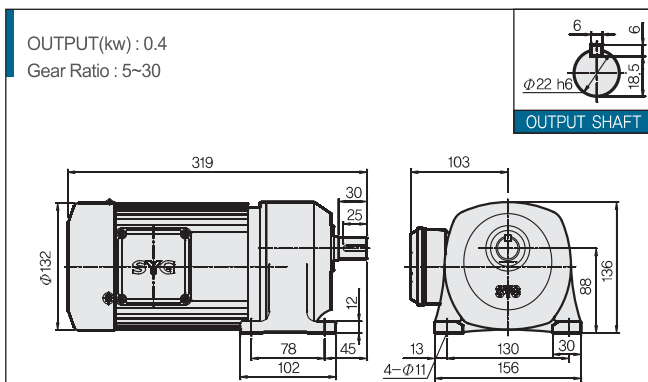


0.4KW 2/4HP 3-phase 삼상

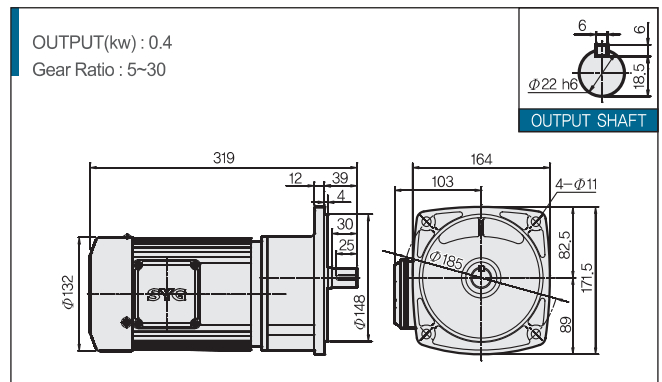
MAXII 외형도 Specifications

동력(kw) POWER	형번	비율 RATIO	R.P.M	TORQUE (Kgf.m)	O.H.L (Kgf)	WEIGHT(KG)		형번	비율 RATIO	R.P.M	TORQUE (Kgf.m)	O.H.L (Kgf)	WEIGHT(KG)		
						HT	VT						HT	VT	
0.4 (삼상)	88	1 / 5	350	1	90	10	10.3	135	1 / 90	19.4	18	350	22	23.1	
		1 / 10	175	2.1	120	10	10.3		1 / 100	17.5	20.3	500	22	23.1	
		1 / 15	116.7	3.1	140	10	10.3		1 / 120	14.6	23.4	600	22	23.1	
		1 / 20	87.5	4.2	150	10	10.3		1 / 140	12.5	27.3	600	22	23.1	
		1 / 30	58.3	6.1	260	10	10.3		1 / 150	11.7	29.2	600	22	23.1	
		1 / 40	43.8	8.1	290	11.5	12		1 / 160	10.9	31.2	600	22	23.1	
	105	1 / 50	35	10.2	320	11.5	12		1 / 180	9.7	32	600	22	23.1	
		1 / 60	29.2	12.2	350	11.5	12		1 / 200	8.8	32	600	22	23.1	
		1 / 75	23.3	15.3	350	11.5	12								

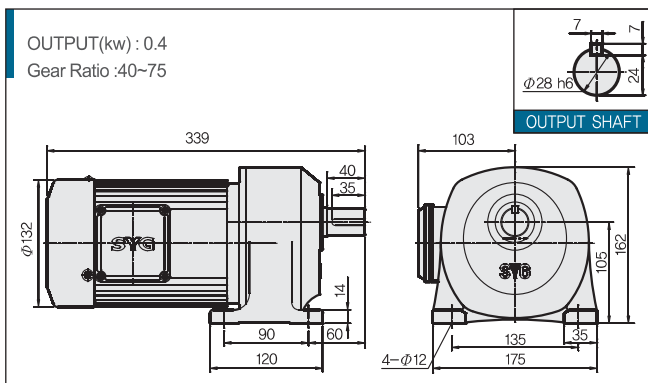
MAXII 88 HORIZONTAL 3-phase



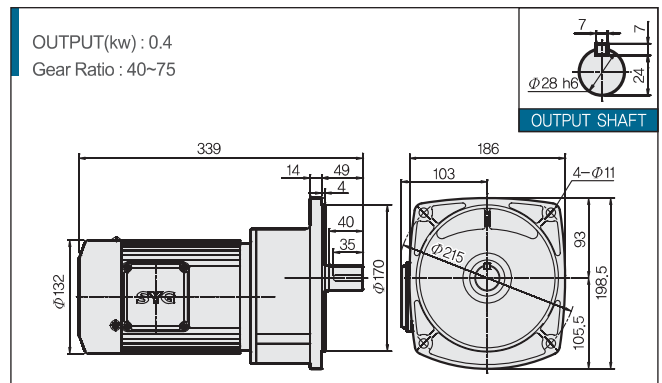
MAXII 88 VERTICAL 3-phase



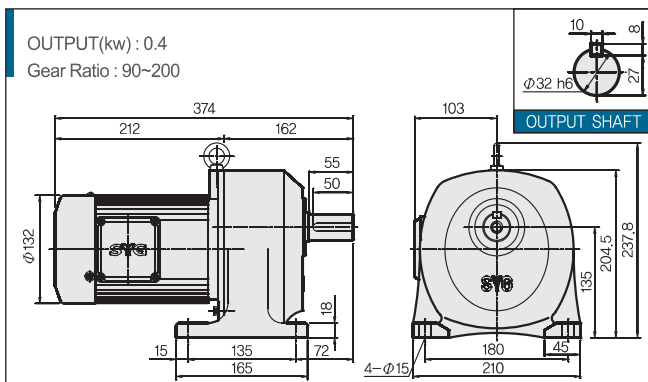
MAXII 105 HORIZONTAL 3-phase



MAXII 105 VERTICAL 3-phase



MAXII 135 HORIZONTAL 3-phase



MAXII 135 VERTICAL 3-phase

