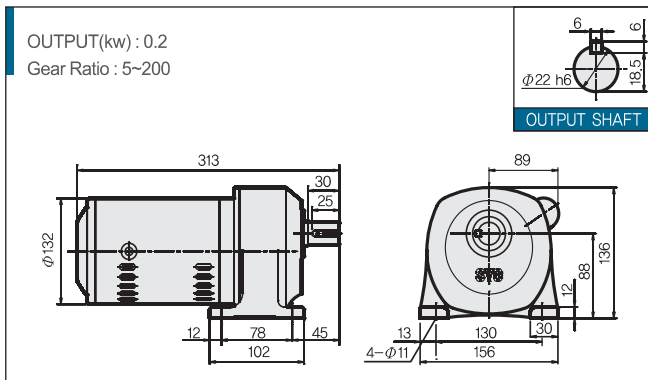


0.2KW 1/4HP 1-phase 단상

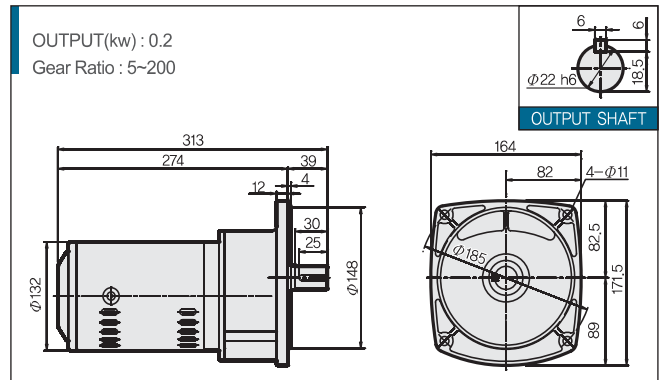
MAXII 외형도 Specifications

동력(kw) POWER	형번	비율 RATIO	R.P.M	TORQUE (Kgf.m)	O.H.L (Kgf)	WEIGHT(KG)		형번	비율 RATIO	R.P.M	TORQUE (Kgf.m)	O.H.L (Kgf)	WEIGHT(KG)	
						HT	VT						HT	VT
0.2 (단상)	88	1 / 5	350	0.5	60	9.8	10	88 (정토크)	1 / 150	11.7	7.6	340	9.8	10
		1 / 10	175	1.0	90	9.8	10		1 / 160	10.9	7.6	350	9.8	10
		1 / 15	116.7	1.6	100	9.8	10		1 / 180	9.7	7.6	350	9.8	10
		1 / 20	87.5	2.1	120	9.8	10		1 / 200	8.8	7.6	350	9.8	10
		1 / 30	58.3	3.1	180	9.8	10		1 / 90	19.4	9.2	250	10	11
		1 / 40	43.8	4.1	190	9.8	10		1 / 100	17.5	10.2	290	10	11
		1 / 50	35	5.1	200	9.8	10		1 / 120	14.6	11.7	340	10	11
		1 / 60	29.2	6.2	220	9.8	10		1 / 140	12.5	13.6	340	10	11
	88 (정토크)	1 / 75	23.3	7.6	250	9.8	10	105	1 / 150	11.7	14.6	340	10	11
		1 / 90	19.4	7.6	250	9.8	10		1 / 160	10.9	15.6	350	10	11
		1 / 100	17.5	7.6	290	9.8	10		1 / 180	9.7	18.0	350	10	11
		1 / 120	14.6	7.6	340	9.8	10		1 / 200	8.8	19.5	350	10	11
		1 / 140	12.5	7.6	340	9.8	10							

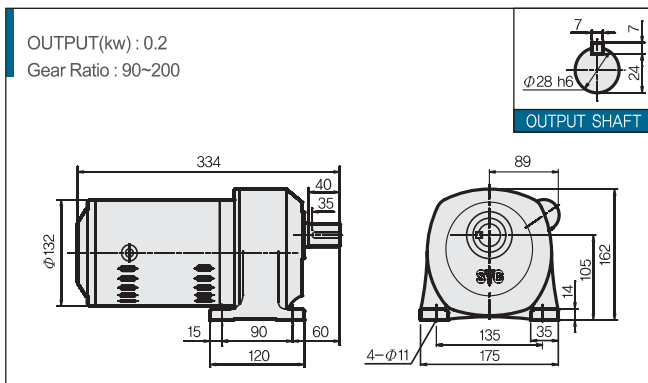
MAXII 88 HORIZONTAL 1-phase



MAXII 88 VERTICAL 1-phase



MAXII 105 HORIZONTAL 1-phase



MAXII 105 VERTICAL 1-phase

