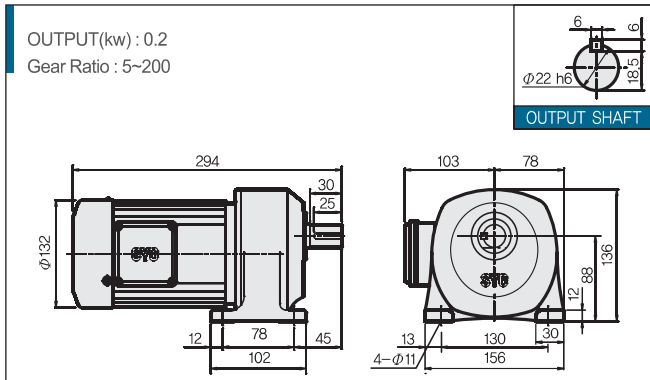


# 0.2KW 1/4HP 3-phase 삼상

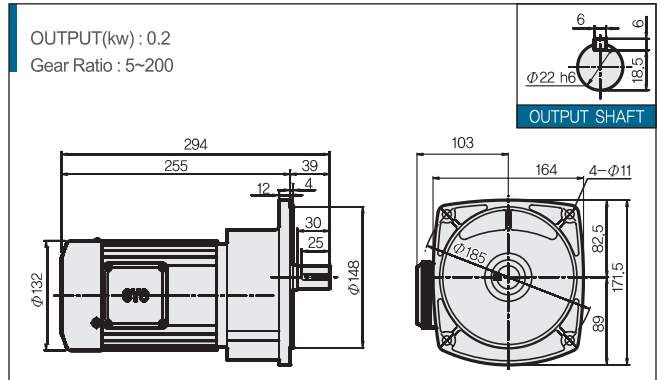
## MAXII 외형도 Specifications

| 동력(Kw)<br>POWER | 형번          | 비율<br>RATIO | R.P.M | TORQUE<br>(Kgf.m) | O.H.L<br>(Kgf) | WEIGHT(KG) |     | 형번          | 비율<br>RATIO | R.P.M | TORQUE<br>(Kgf.m) | O.H.L<br>(Kgf) | WEIGHT(KG) |     |
|-----------------|-------------|-------------|-------|-------------------|----------------|------------|-----|-------------|-------------|-------|-------------------|----------------|------------|-----|
|                 |             |             |       |                   |                | HT         | VT  |             |             |       |                   |                | HT         | VT  |
| 0.2<br>(삼상)     | 88          | 1 / 5       | 350   | 0.5               | 60             | 7.8        | 8.2 | 88<br>(정토크) | 1 / 150     | 11.7  | 7.6               | 340            | 8          | 8.5 |
|                 |             | 1 / 10      | 175   | 1.0               | 90             | 7.8        | 8.2 |             | 1 / 160     | 10.9  | 7.6               | 350            | 8          | 8.5 |
|                 |             | 1 / 15      | 116.7 | 1.6               | 100            | 7.8        | 8.2 |             | 1 / 180     | 9.7   | 7.6               | 350            | 8          | 8.5 |
|                 |             | 1 / 20      | 87.5  | 2.1               | 120            | 7.8        | 8.2 |             | 1 / 200     | 8.8   | 7.6               | 350            | 8          | 8.5 |
|                 |             | 1 / 30      | 58.3  | 3.1               | 180            | 7.8        | 8.2 |             | 1 / 90      | 19.4  | 9.2               | 250            | 9          | 9.5 |
|                 |             | 1 / 40      | 43.8  | 4.1               | 190            | 7.8        | 8.2 |             | 1 / 100     | 17.5  | 10.2              | 290            | 9          | 9.5 |
|                 |             | 1 / 50      | 35    | 5.1               | 200            | 7.8        | 8.2 |             | 1 / 120     | 14.6  | 11.7              | 340            | 9          | 9.5 |
|                 |             | 1 / 60      | 29.2  | 6.2               | 220            | 7.8        | 8.2 |             | 1 / 140     | 12.5  | 13.6              | 340            | 9          | 9.5 |
|                 | 88<br>(정토크) | 1 / 75      | 23.3  | 7.6               | 250            | 7.8        | 8.2 | 105         | 1 / 150     | 11.7  | 14.6              | 340            | 9          | 9.5 |
|                 |             | 1 / 90      | 19.4  | 7.6               | 250            | 7.8        | 8.2 |             | 1 / 160     | 10.9  | 15.6              | 350            | 9          | 9.5 |
|                 |             | 1 / 100     | 17.5  | 7.6               | 290            | 8          | 8.2 |             | 1 / 180     | 9.7   | 18.0              | 350            | 9          | 9.5 |
|                 |             | 1 / 120     | 14.6  | 7.6               | 340            | 8          | 8.5 |             | 1 / 200     | 8.8   | 19.5              | 350            | 9          | 9.5 |
|                 |             | 1 / 140     | 12.5  | 7.6               | 340            | 8          | 8.5 |             |             |       |                   |                |            |     |

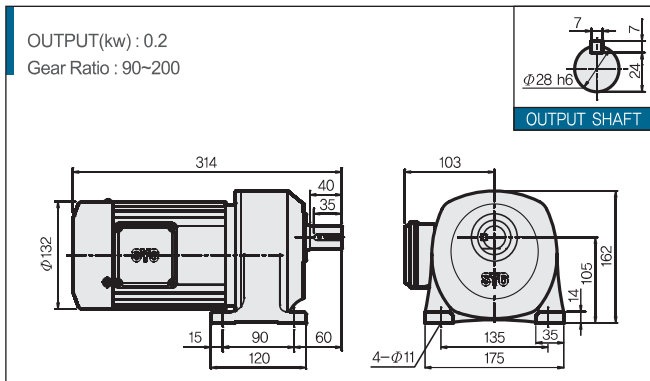
### MAXII 88 HORIZONTAL 3-phase



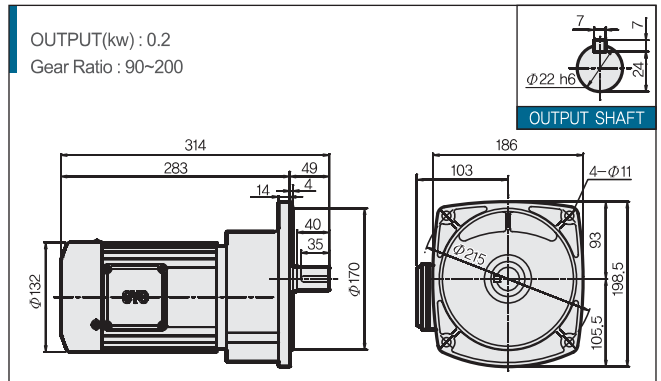
### MAXII 88 VERTICAL 3-phase



### MAXII 105 HORIZONTAL 3-phase



### MAXII 105 VERTICAL 3-phase



GEARED MOTORS